

RICHARD NEET, P.E.  
 PE# APPEARS IN SEAL  
 09/17/2020

VALID FOR 1 PERMIT ONLY U.N.O.  
**DIGITAL SEAL NOTICE:**  
 IF THIS DOCUMENT IS DIGITALLY SIGNED, THIS SHEET IS PART OF A DIGITALLY SIGNED FILE. IT SHALL REMAIN IN DIGITAL FORMAT, SHALL BE VERIFIED BY ELECTRONIC MEANS, & PRINTED COPIES OF THIS DOCUMENT ARE NOT CONSIDERED SIGNED AND SEALED.  
**PRINTED DOCUMENT NOTICE:**  
 IF THIS DOCUMENT IS PRINTED & DOES NOT CONTAIN AN ENGINEER'S ORIGINAL SIGNATURE & SEAL, THIS DOCUMENT IS VOID & NOT VALID FOR USE. PHOTOCOPIES ARE NOT PERMITTED FOR USE.

**ENGINEERING EXPRESS**  
 CORPORATE OFFICE:  
 160 SW 12th AVE, SUITE 106  
 DEERFIELD BEACH, FL 33442  
 (954) 354-0660 | (866) 396-9999  
 TEAM@ENGINEERINGEXPRESS.COM  
 ENGINEERINGEXPRESS.COM

**CARDINAL ARCHITECTURAL**  
 6910 PRESTON HWY,  
 LOUISVILLE, KY  
 (888) 550-5491  
 LOUVERED PERGOLA MPS  
 FREESTANDING

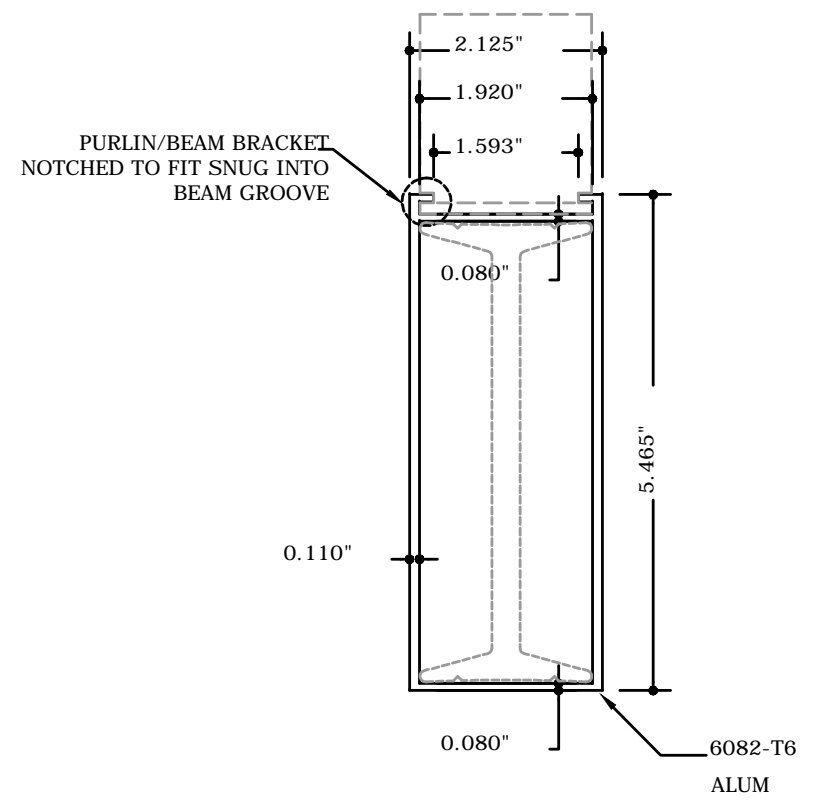
REMARKS	DRWN	CHKD	DATE
INIT ISSUE	AEM	RWN	09/16/20

THIS DOCUMENT IS THE PROPERTY OF ENGINEERING EXPRESS AND SHALL NOT BE REPRODUCED IN WHOLE OR PART WITHOUT WRITTEN CONSENT OF ENGINEERING EXPRESS. ALTERATIONS, ADDITIONS, OR OTHER MARKINGS TO THIS DOCUMENT ARE NOT PERMITTED AND INVALIDATE OUR CERTIFICATION.

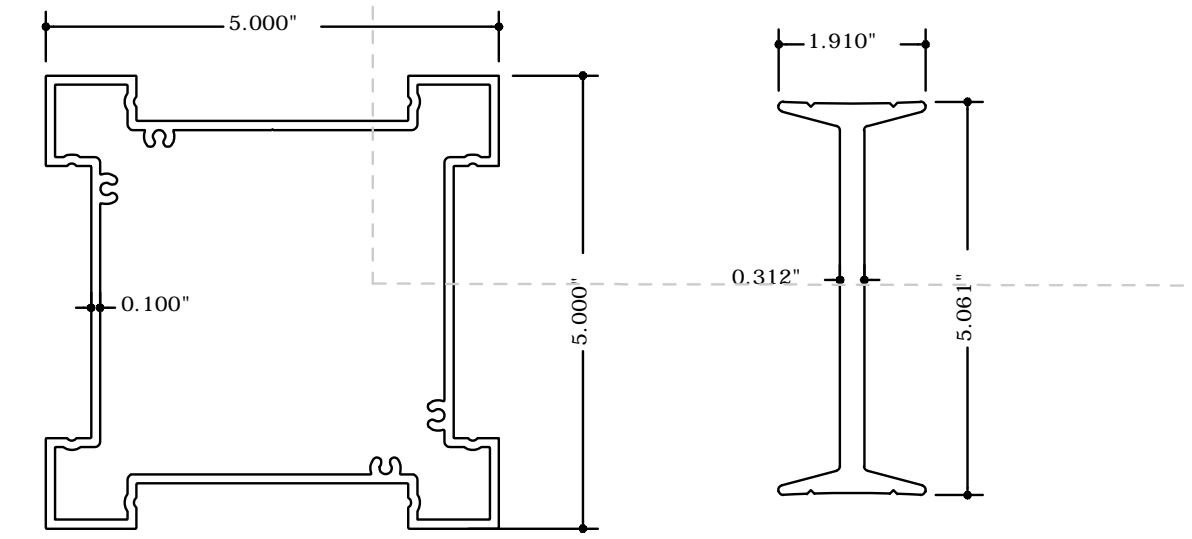
COPYRIGHT ENGINEERING EXPRESS®  
 20-20462

SCALE: NTS UNLESS NOTED

6 OF 12



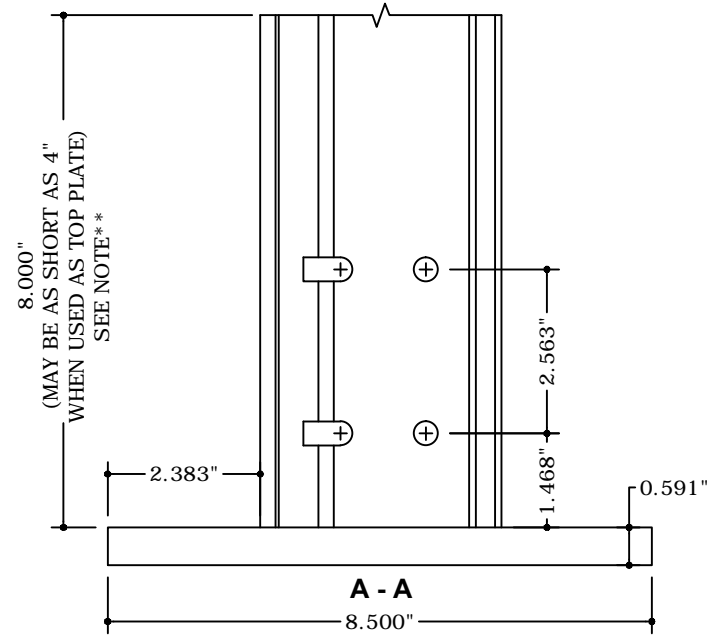
**1** BEAM/RAFTER  
 N.T.S. 6082-T6 ALUM



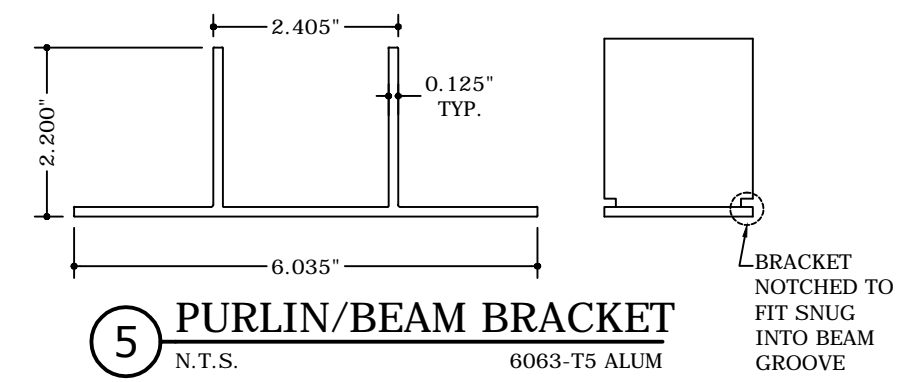
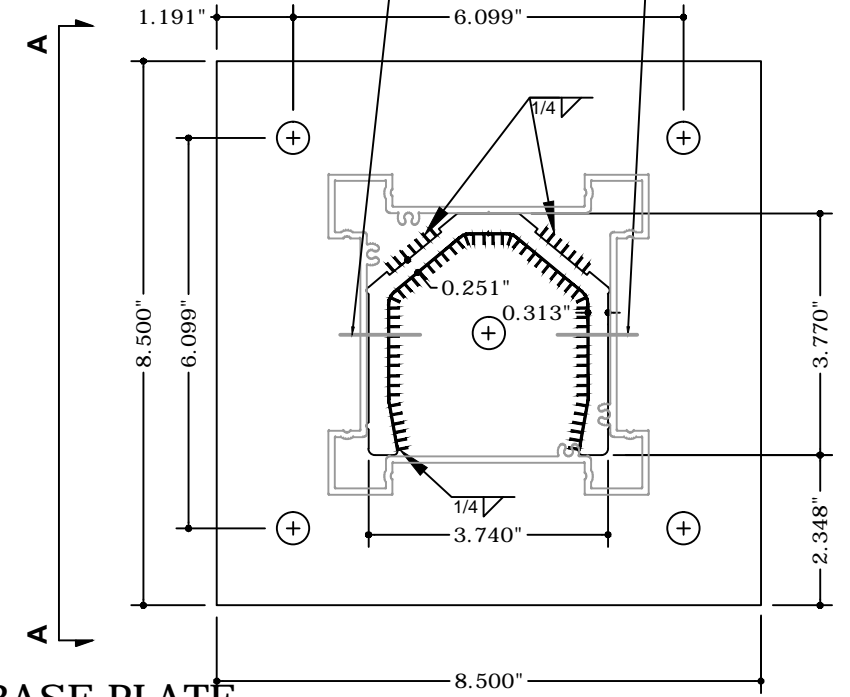
**2** POST N.T.S. 6005A-T6 ALUM  
**2** BEAM/RAFTER INSERT N.T.S. 6082-T6 ALUM

**\*\*NOTE: SOME CANOPY CONFIGURATIONS REQUIRE INSERT TO RUN THE FULL LENGTH OF POST. SEE ALUMINUM POST SCHEDULES FOR REQUIREMENTS**

**\*\*FOR CONDITIONS WHERE INSERT SPANS INSIDE ENTIRE LENGTH OF POST, PROVIDE #12 SAE GR 5 OR SS SMS AT 8" O.C. AND 8" FROM ENDS ON OPPOSITE SIDES AS SHOWN**



**4** POST TOP/BASE PLATE W/ INSERT  
 N.T.S. 6005-T5 ALUM OR 6061-T6 ALUM



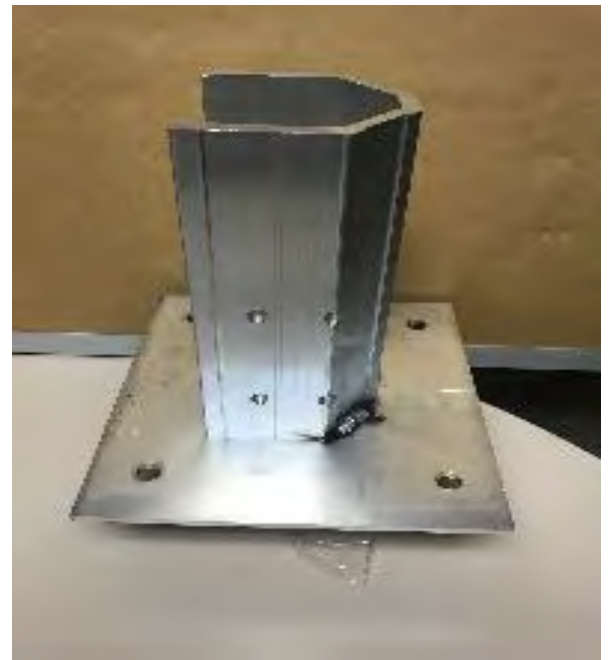
**5** PURLIN/BEAM BRACKET N.T.S. 6063-T5 ALUM

BRACKET NOTCHED TO FIT SNUG INTO BEAM GROOVE

PHOTOCOPIES NOT TO BE USED

C:\Users\amccann\Engineering\Express\Production - Documents\Projects\20-20462 Louvered Pergola MPS\WP\20-20462c Louvered Pergola MPS (FS).dwg  
 amccann 09/17/2020 - 5:08pm

Post 5" x 5" available 10' & 15' long.  
If a single beam is installed in notch,  
the top post trim and top post base  
are not necessary.



Bottom Post Base.



Bottom & Top Post Trim

Single or double beams are installed  
on top of the post. Top Trim will cover  
notch. Top post base slides into post.



Top Post Base  
with Single Beam Bracket

Rafter/Beam: 2.125" x 5.25"  
available 12', 18' & 24' length.  
shown with rafter bracket.

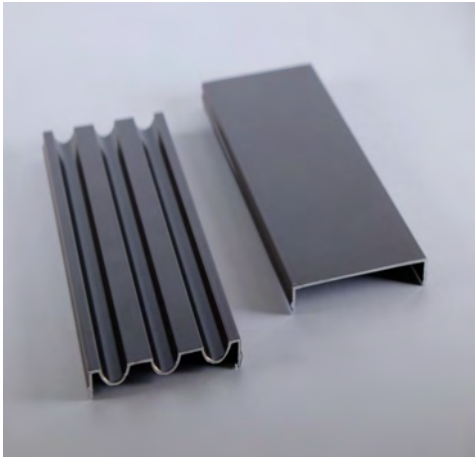


Rafter/Beam with I-Beam insert.  
I-Beam available 18' & 24' lengths

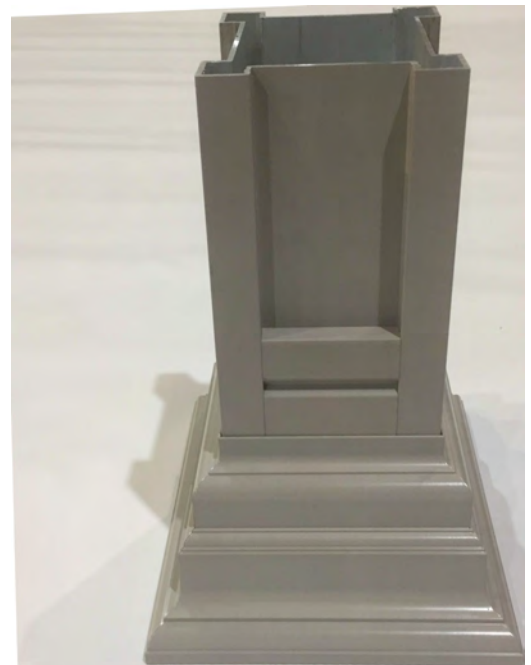
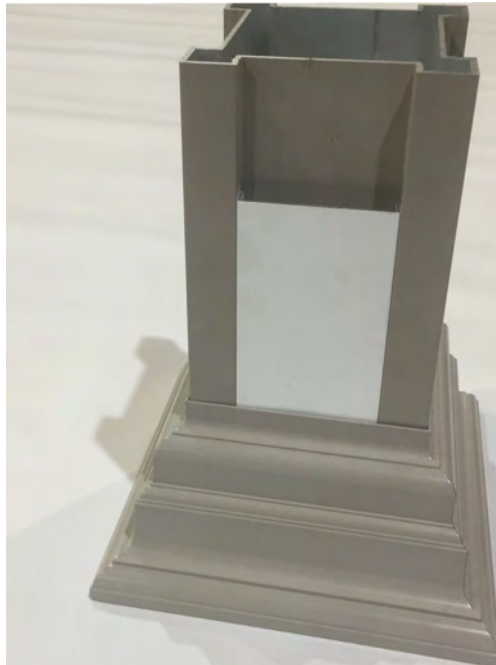
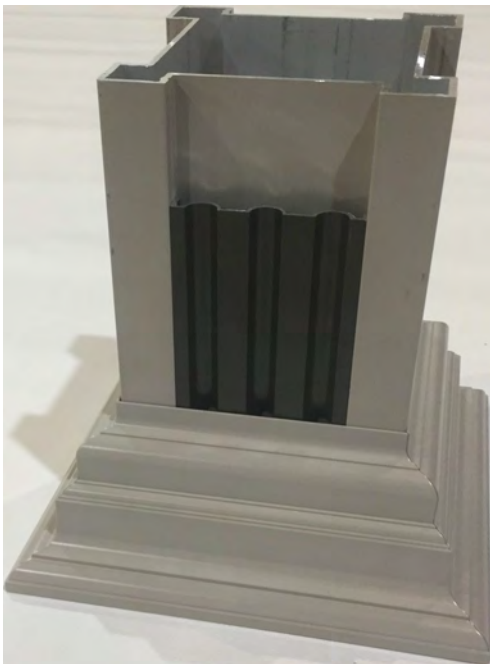


Flat or Fluted post inserts will change the look of post. Inserts are not required.

Fluted or Flat inserts are optional



Insert Included with Post Kit



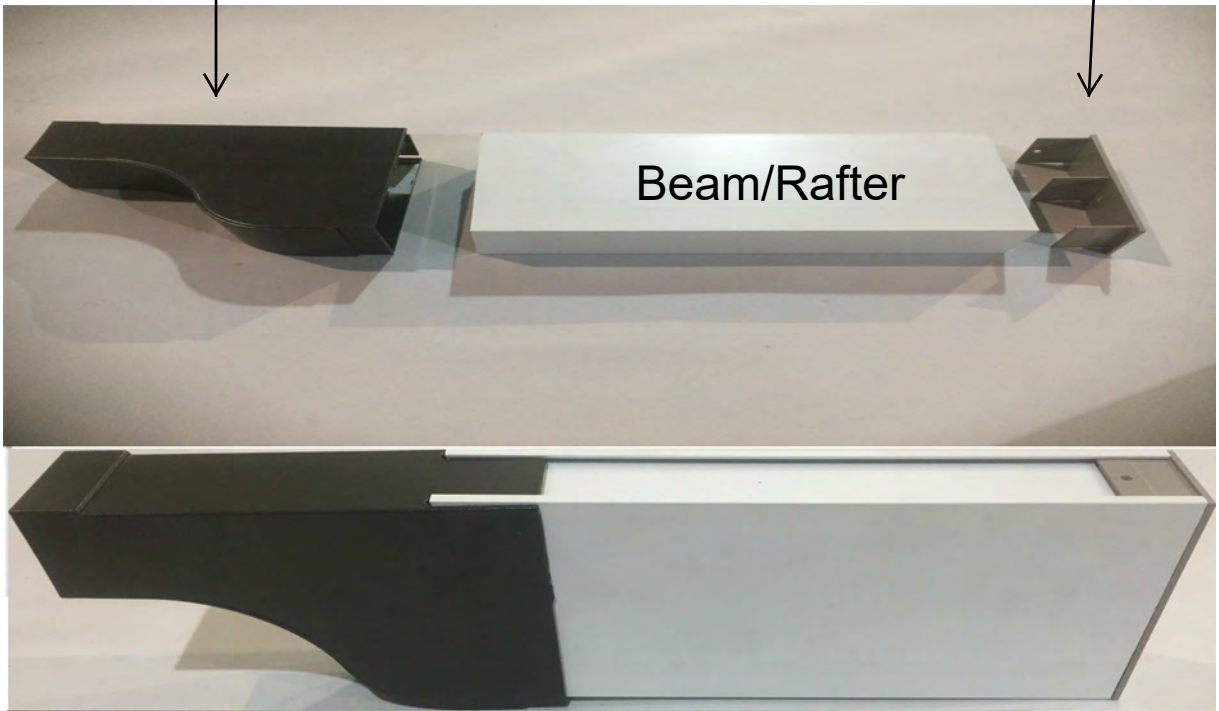
BRONZE, Y P  
WUT AOUŠUÜA  
XCSOŠ

# End Caps

Deluxe End Cap



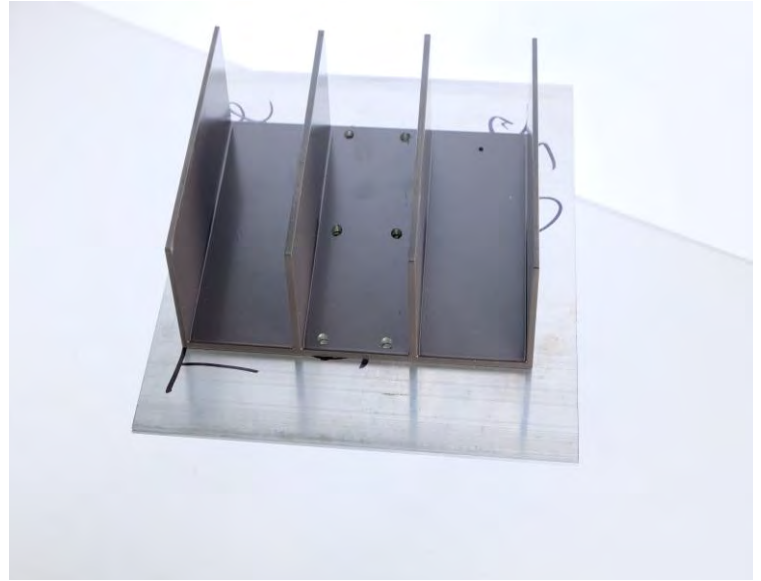
Flush End Cap



Top Post Base  
with Single Beam Bracket  
slides into top of post.



Top Post Base  
with Double Beam Bracket  
slides into top of post.



Rafter Bracket



Roof Bracket



Gusset Kit





